



Technical Features



Range
Up to 4,2 m



Airflow
2190 - 5110 m³/h



Fans
EC Double Inlet
Centrifugal



Heating type
Heat pump
with sensors



Heating capacity
10,8 - 27 kW



Casing
Galvanised Steel
Self-Supporting



Grille type
Rectangular perforated
33x10



Outlet vanes
Airfoil type



Control
Slave DX
(Optional Control Clever)

RAL 9016
standard



Stainless
steel



Other colors
on request



ROTOWIND revolving door air curtains are custom designed to perfectly match the curvature of the revolving door. You could therefore say that each air curtain is unique. They are discreetly mounted above the revolving door in two possible configurations and are usually painted in the same colour as the revolving door to match the internal or external aesthetics of the building. Their energy efficient heat pump compatible version achieves a reduction of up to 70% in energy consumption and CO2 emissions (in heating mode).

Prepared for connection to LG Inverter heat pump (R32 /R410A) with direct expansion valve, not included, to be purchased by the customer. Includes Interface Kit DX PAHCMRA000 adapted for curtain and programmable control LG PREMTB001.

On request, the air curtain can be modified to work in cooling and heating (not recommended) with optional condensate water pump.

Air curtain specifications

Model	Airflow m ³ /h	Fans Power	Fans Current	Outdoor unit	Outdoor unit	Gas-Liquid pipe connections	Noise Level (5 m)	Weight kg
		230V-50/60Hz kW	230V-50/60Hz A	230Vx1	400Vx3	inch	dB(A)	
ROTO ECG 1000 DX10-LG	2190	0,213	1,86	UUD1 U30	UUD3 U30	5/8" - 3/8"	61	-
ROTO ECG 1500 DX15-LG	2920	0,284	2,48	UUD1 U30	UUD3 U30	5/8" - 3/8"	62	-
ROTO ECG 2000 DX20-LG	4380	0,426	3,72	-	UU70W U34	1" - 3/8"	63	-
ROTO ECG 2000 DX22-LG	4380	0,426	3,72	-	UU70W U34	1" - 3/8"	63	-
ROTO ECG 2500 DX22-LG	5110	0,497	4,34	-	UU70W U34	1" - 3/8"	64	-
ROTO ECG 2500 DX27-LG	5110	0,497	4,34	-	UU85W U74	7/8" - 1/2"	64	-

Outdoor unit specifications

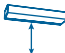
LG inverter model Outdoor Unit	Heating capacity kW	COP or SCOP	Cooling capacity kW	EER or SEER	Voltage	Gas-liquid pipes	Minimum pipe length	Maximum pipe length	Maximum pipe height
						inch	m	m	m
UUD1 U30 (36)	10,8	4,5	9,5	7,6	230Vx1	5/8" - 3/8"	5	85	30
UUD1 U30 (42)	13,5	4,5	12,1	7,4	230Vx1	5/8" - 3/8"	5	85	30
UUD1 U30 (48)	15,5	4,5	13,4	6,8	230Vx1	5/8" - 3/8"	5	85	30
UUD1 U30 (60)	17,5	4,5	15	6,6	230Vx1	5/8" - 3/8"	5	85	30
UUD3 U30 (36)	10,8	4,5	9,5	7,6	400Vx3	5/8" - 3/8"	5	85	30
UUD3 U30 (42)	13,5	4,5	12,1	7,4	400Vx3	5/8" - 3/8"	5	85	30
UUD3 U30 (48)	15,5	4,5	13,4	6,8	400Vx3	5/8" - 3/8"	5	85	30
UUD3 U30 (60)	17,5	4,5	15	6,6	400Vx3	5/8" - 3/8"	5	85	30
UU70W U34	22,4	3,5	19	2,84	400Vx3	1" - 3/8"	5	75	30
UU85W U74	27	3,25	23	2,81	400Vx3	7/8" - 1/2"	5	75	30




Technical Features




RAL 9016 standard  Stainless steel  Other colors on request 


Range
Up to 4,2 m



Airflow
2190 - 5110 m³/h


Fans
EC Double Inlet
Centrifugal


Heating type
Heat pump
with sensors


Heating capacity
10 - 29 kW


Casing
Galvanised Steel
Self-Supporting


Grille type
Rectangular perforated
33x10


Outlet vanes
Airfoil type


Control
Slave DX
(Optional Control Clever)

ROTOWIND revolving door air curtains are custom designed to perfectly match the curvature of the revolving door. You could therefore say that each air curtain is unique. They are discreetly mounted above the revolving door in two possible configurations and are usually painted in the same colour as the revolving door to match the internal or external aesthetics of the building. Their energy efficient heat pump compatible version achieves a reduction of up to 70% in energy consumption and CO2 emissions (in heating mode).

Ready to connect to LG VRF outdoor heat pump (R32/R410A) and expansion valve not included, the customer must purchase it. Requires LG VRF Interface KIT adapted for air curtain and programmable control, please consult.

On request, the air curtain can be modified to work in cooling and heating (not recommended) with optional condensate water pump.

Air curtain specifications

Model	Airflow m ³ /h	Fans Power 230V-50Hz kW	Fans Current 230V-50Hz A	Expansion Valve	Gas-Liquid pipe connections inch	Noise Level (5 m) dB(A)	Weight kg
ROTO ECG 1000 VRF10-LG	2190	0,213	1,86	PRLK048A0	5/8" - 3/8"	61	-
ROTO ECG 1500 VRF15-LG	2920	0,284	2,48	PRLK048A0	5/8" - 3/8"	62	-
ROTO ECG 2000 VRF20-LG	4380	0,426	3,72	PRLK048A0	1" - 3/8"	63	-
ROTO ECG 2000 VRF24-LG	4380	0,426	3,72	PRLK048A0	1" - 3/8"	63	-
ROTO ECG 2500 VRF25-LG	5110	0,497	4,34	PRLK048A0	1" - 3/8"	64	-
ROTO ECG 2500 VRF29-LG	5110	0,497	4,34	PRLK048A0	7/8" - 1/2"	64	-

The VRF-compatible models are as follows:

- Multi V S
- Multi V 5
- Multi V IV

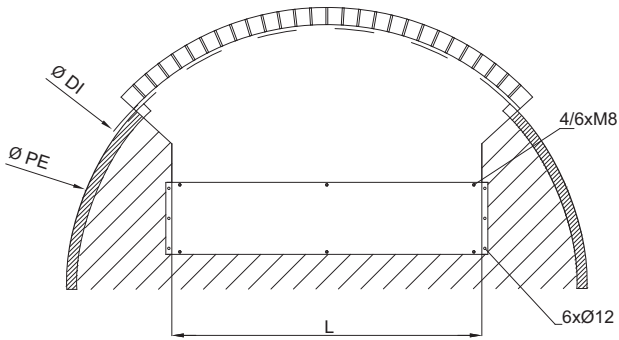
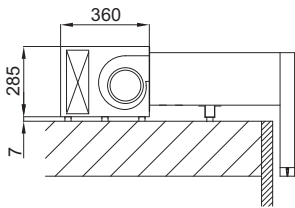


Selection program



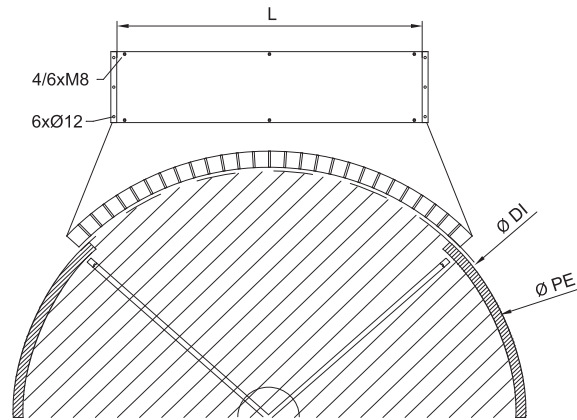
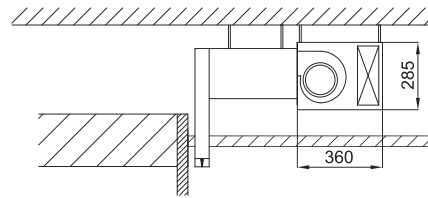
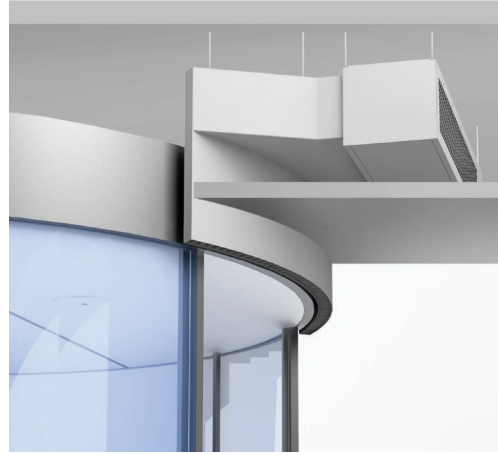
Dimensions

Standard: Installation above the door



Model	L
1000	1050
1500	1550
2000	2055
2500	2555

Inverted: False ceiling installation



$\varnothing DI$	Inside outlet diameter
$\varnothing PE$	External door diameter

CAD drawings, BIM files, installation manuals and other documentation





Accessories

Supports



Silentblock supports
SPANG-SIL / SLB



Gripple hanger
SPCT



Slave DX
(Included)



Interface kit
IN-NE-II



Clever Control Kit



RJ45 Cable



External Temperature
Sensor (Clever, TD-NE)

Sensors



Magnetic door contact
DC



Mechanical door contact
DC